

WATERDROP®

Fit For Your Needs

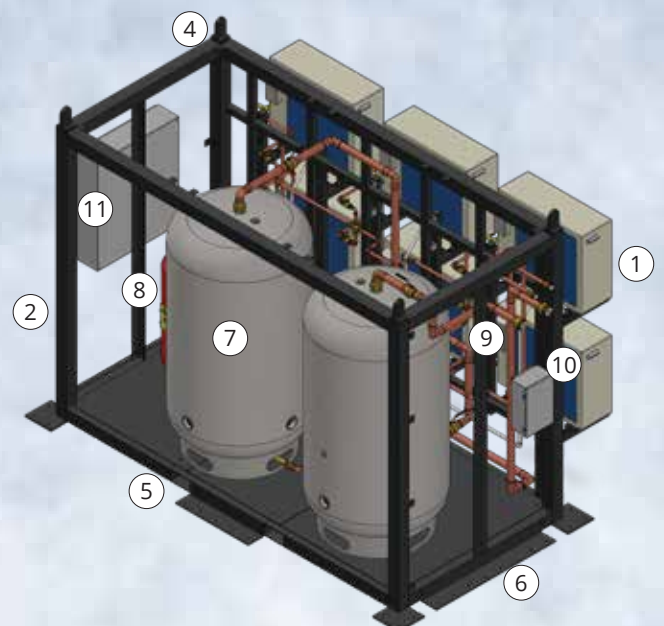
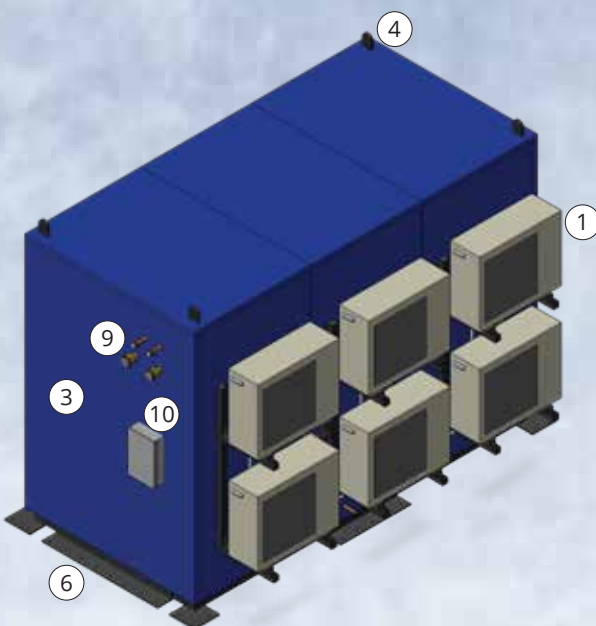
Partial Load System

WaterDrop Partial Load systems are used to partially meet a new or existing building's DHW load using electric heat pumps. Existing buildings getting a DHW plant retrofit can economize by re-using the existing boiler, TMV and recirculation pump. New buildings needing only partial loads supplied by heat pumps¹ to augment a boiler can safely target greenhouse gas reductions by contributing only a part of the daily load. To accomplish this, the building is sized and the WaterDrop selection heats a fixed percentage of daily capacity with the boiler picking up the rest.

These stripped down models eliminate the pumps and swing tank of the Complete WaterDrop System. They use the same steel frame² featuring removable panels³, crane⁴ and forklift⁵ points, and tie downs⁶. The Partial Load system will contain only heat pumps, storage tanks⁷, and expansion tank⁸. All water lines are piped to a common location for water connection⁹. Partial Load systems come with their own master staging controller¹⁰ with communication options of WIFI, LTE and BMS. Power for the Partial Load system runs through a main power supply¹¹ with a single point connection.



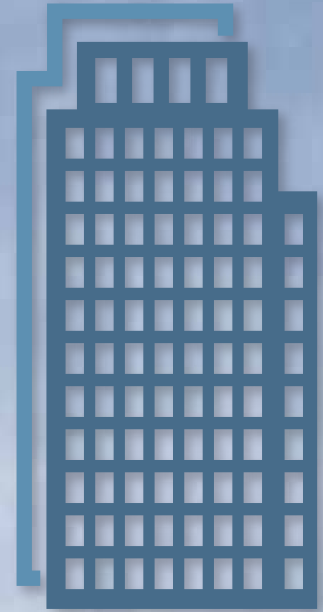
- ① Heat Pumps
- ② Steel Frame
- ③ Removable Panels
- ④ Crane Lift Points
- ⑤ Forklift Points
- ⑥ Tie Downs
- ⑦ Primary Storage
- ⑧ Expansion Tank
- ⑨ Water Connections
- ⑩ Master Controller
- ⑪ Main Power Supply





WaterDrop Partial Load Models

WaterDrop Partial Load Skids come in several standard models, serving a wide range of building load sizes. Model choice is dependent on desired load to be paired with a gas boiler. To determine your recommended load, you can fill out the form on our website to get the in touch with our engineers. Then you can confidently select the right model for your needs.



Drop In



Flexible



Efficient

Model	Kw Capacity	Storage Gals	Kbtu Capacity
92kBTU-1010GL PL	27	1010	92
92kBTU-520GL PL	27	520	92
62kBTU-360GL PL	18	360	62

Ready to start your WaterDrop journey? Fill out the contact form at waterdropsystems.com or call us at (778) 326-0158.

USA
7924 Sweet Iron Court
Suite 101
Tumwater, WA 98501

Canada
3231 Number 6 Road
Unit 135
Richmond, BC V6V 1P6