

4

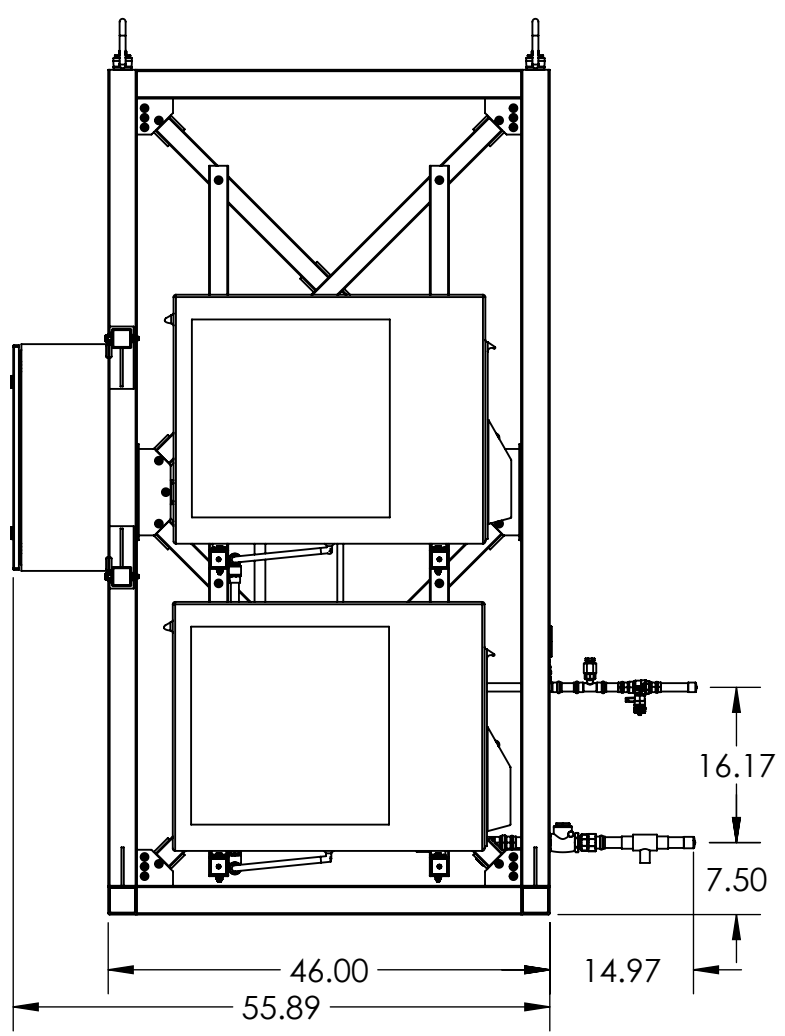
3

2

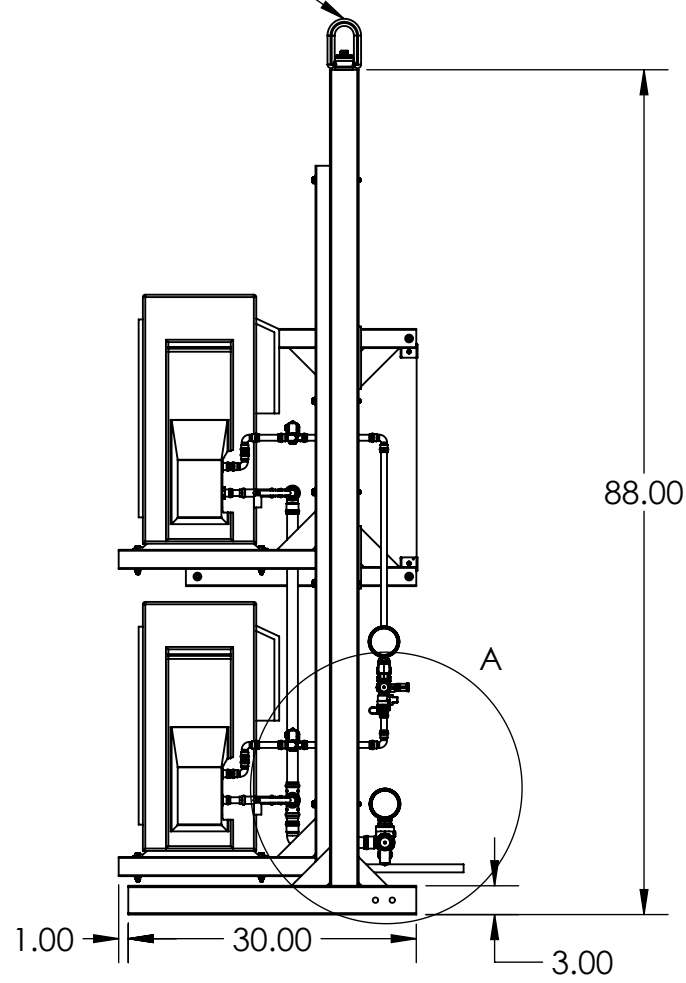
1

B

B

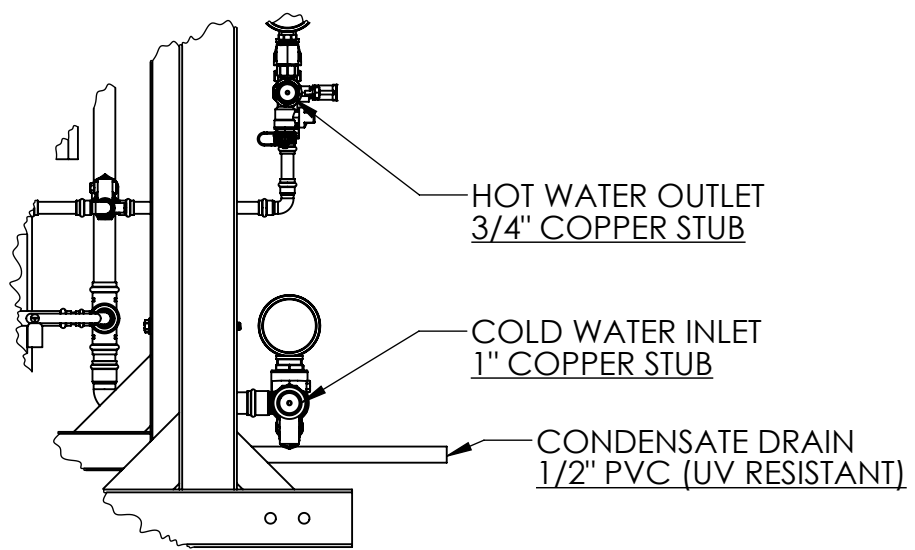


REMOVABLE HOIST RING



A

A



DETAIL A
PIPING CONNECTIONS
SCALE 1 : 10

NOTES:
ALL DIMENSIONS IN INCHES
**36" SERVICE CLEARANCE
REQUIRED ON ALL SIDES**

SMALL PLANET SUPPLY TUMWATER, WA		
TITLE: DROPLET2 SUBMITTAL (DIMENSIONS & CONNECTIONS)		
SIZE B	DWG. NO. 003-00007	REV A
SCALE: 1:20		SHEET 1 OF 4

4

3

2

1

4

3

2

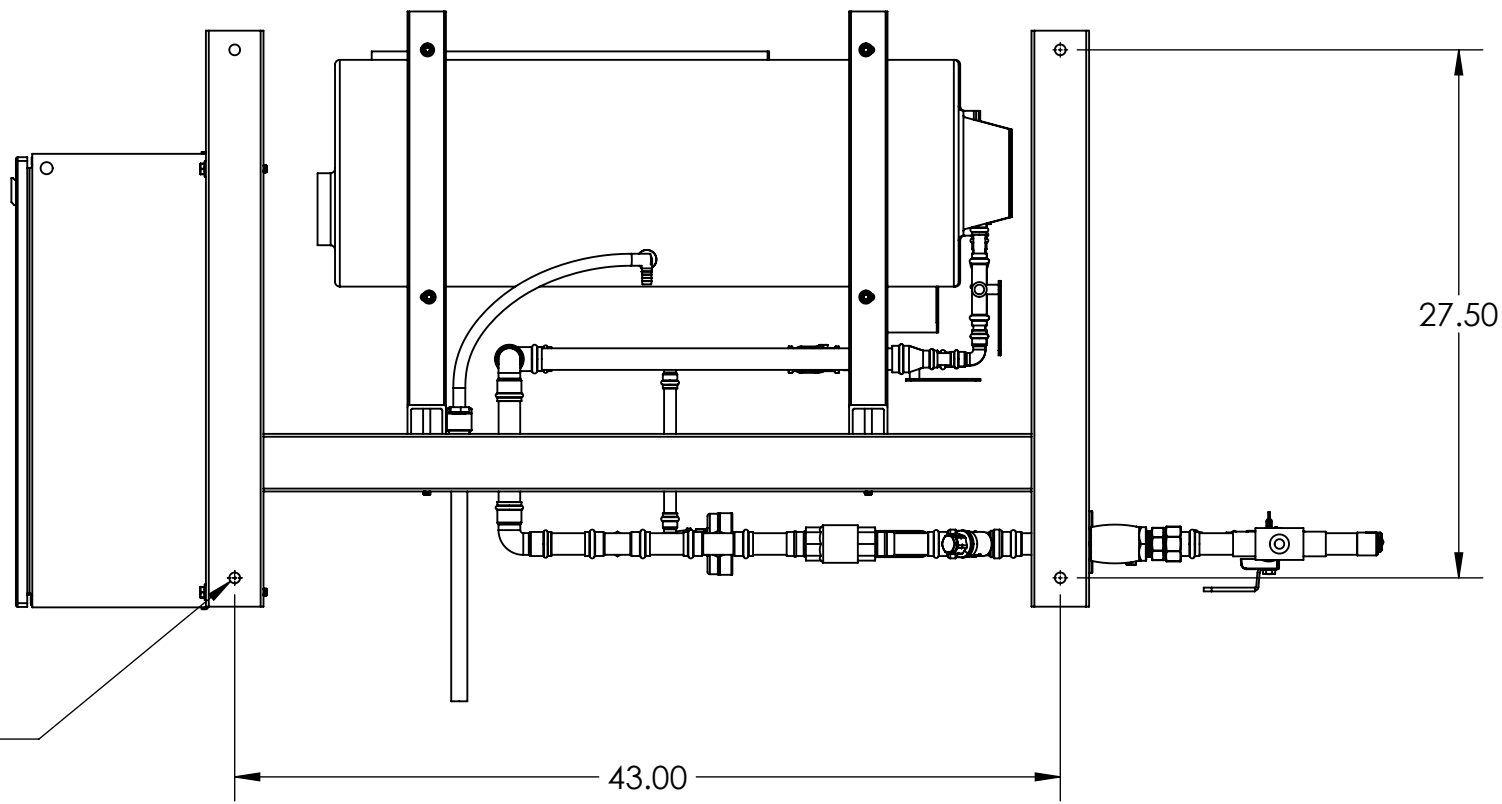
1

B

B

A

A



ALL DIMENSIONS IN INCHES

ANCHOR REQUIREMENTS:

- (4) ANCHORS REQUIRED
- 1/2" DIAMETER
- 1,000 lbf UPLIFT CAPACITY PER ANCHOR
- 750 lbf SHEAR CAPACITY PER ANCHOR

SMALL PLANET SUPPLY
TUMWATER, WA

TITLE:
**DROPLET2
SUBMITTAL**
(MOUNTING REQUIREMENTS)

SIZE	DWG. NO.	REV
B	003-00007	A

SCALE: 1:10

SHEET 2 OF 4

4

3

2

1

4

3

2

1

PERFORMANCE

HEATING CAPACITY (ABOVE 5°F) [BTUH]	30,800
NOMINAL OUTPUT [GPM @ 100°F LIFT]	0.62
MAX. DAILY OUTPUT [GAL./DAY @ 100°F LIFT]	592
MAX. DAILY RUNTIME [HOURS / DAY]	16
AIRFLOW [CFM]	1,200
EXTERNAL STATIC PRESSURE [IN.-H ₂ O]	0
SOUND LEVEL [dB(A)]	40
*MAX. PIPE LENGTH TO STORAGE TANKS [FT.]	55
*MAX. VERTICAL DISTANCE TO STORAGE TANK [FT.]	20
REFRIGERANT TYPE	R-744
TOTAL CHARGE [OZ.]	50.8
MAX. SYSTEM WATER PRESSURE [PSI]	75
HEAT TRACE CAPACITY [W/FT.] (OPTIONAL)	8

*LIMITED BY HEAT PUMP INTERNAL CIRCULATOR PUMP AVAILABLE HEAD

ELECTRICAL

VOLTAGE/PHASE/FREQ.	208V/1Ø/60Hz
FLA [A]	32.3
MCA [A]	40.5
MOCP [A]	50

WEIGHT

DRY WEIGHT, INSTALLED* [LBS.]	750
-------------------------------	-----

*APPROX.

COMPONENT & CONSTRUCTION DETAIL

20-MESH WYE-STRAINER LOCATED ON COLD SUPPLY
INDIVIDUAL HEAT PUMP ISOLATION AND CHECK VALVES
HEAT TRACE ON PIPING AND CONDENSATE DRAIN PANS (OPTIONAL)
PAINTED STEEL FRAME
1-1/2" PIPE INSULATION
TYPE K COPPER PIPING
ONBOARD STAGING CONTROLLER
UL508A PANEL

MOUNTING ANCHORS

DIAMETER	1/2"
UPLIFT/PULLOUT CAPACITY [lbf]	1,000
SHEAR CAPACITY [lbf]	750
NO. OF ANCHORS REQUIRED	4

FIELD CONNECTIONS

<u>ELECTRICAL</u>	LINE	
	NEUTRAL	
	GROUND	
<u>PLUMBING</u>	HOT WATER OUTLET	3/4" COPPER STUB
	COLD WATER SUPPLY	1" COPPER STUB
	CONDENSATE DRAINS	1/2" PVC (UV-RESISTANT)

SMALL PLANET SUPPLY
TUMWATER, WA
TITLE:

**DROPLET2
SUBMITTAL**
(TECHNICAL DATASHEET)

SIZE	DWG. NO.	REV
B	003-00007	A

SCALE: 1:15

SHEET 3 OF 4

4

3

2

1

B

B

A

A

4

3

2

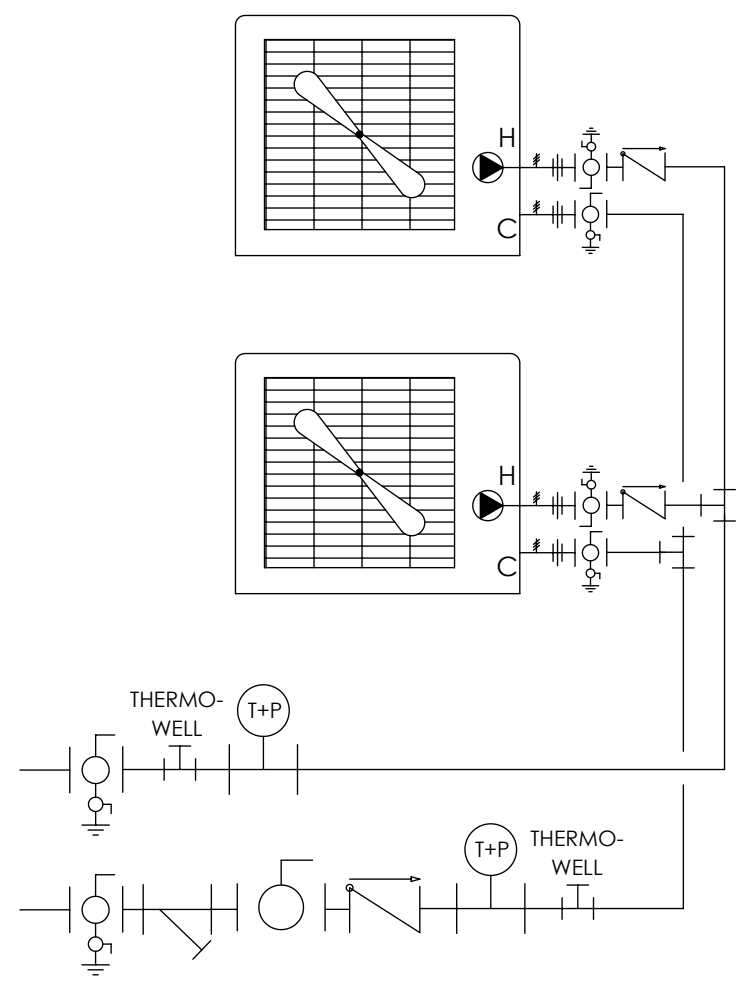
1

B

B

A

A



SMALL PLANET SUPPLY TUMWATER, WA		
TITLE: DROPLET2 SUBMITTAL (PIPING DIAGRAM)		
SIZE B	DWG. NO. 003-00007	REV A
SCALE: 1:1	SHEET 4 OF 4	

4

3

2

1