

4

3

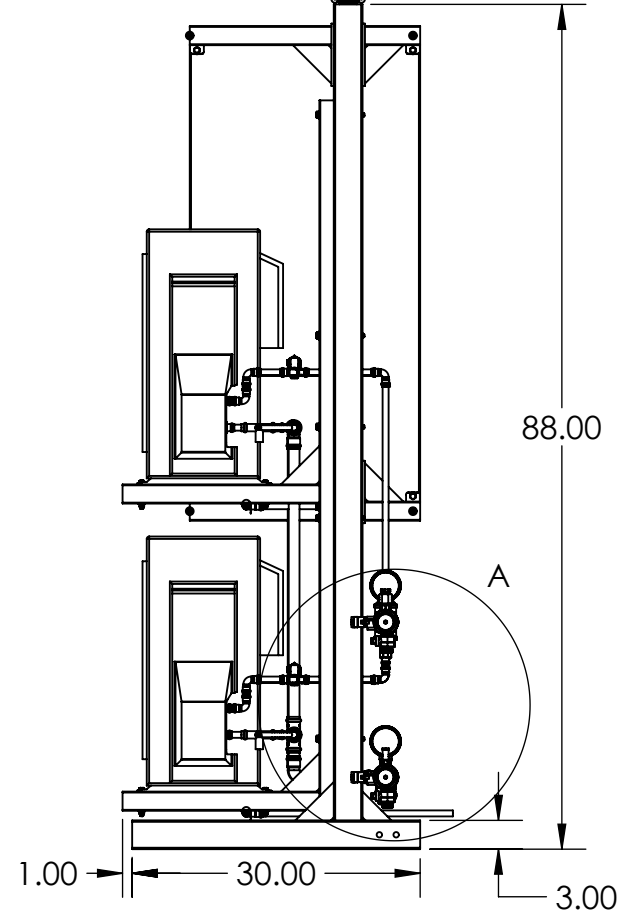
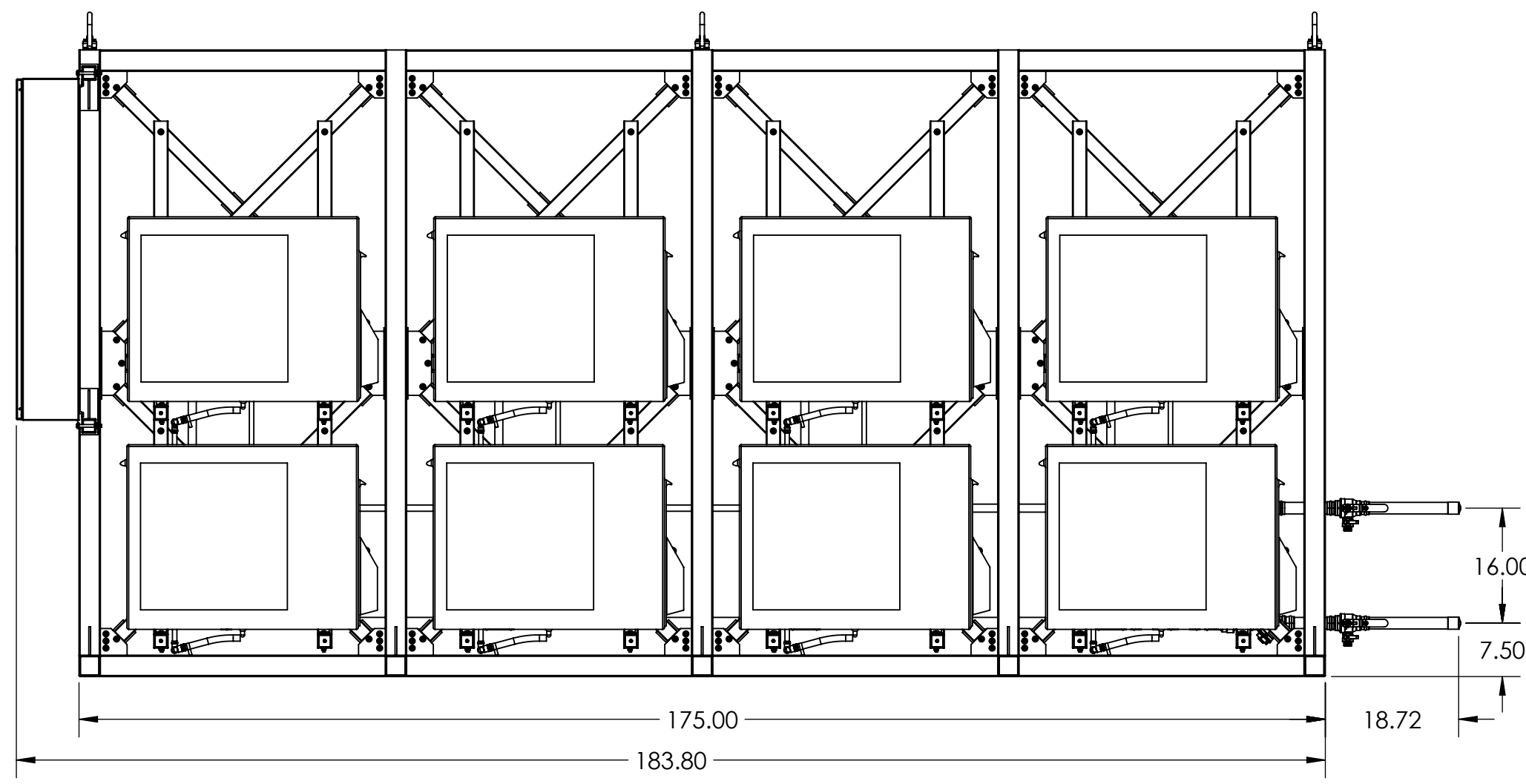
2

1

REMOVABLE HOIST RING

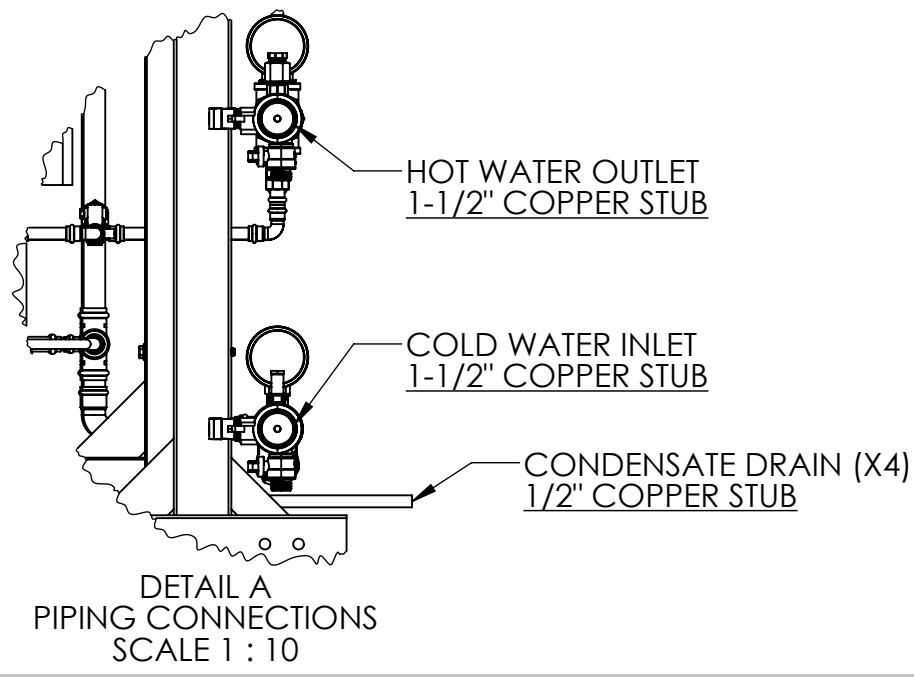
B

B



A

A



NOTES:			SMALL PLANET SUPPLY		
ALL DIMENSIONS IN INCHES			TUMWATER, WA		
<b>36" SERVICE CLEARANCE REQUIRED ON ALL SIDES</b>			TITLE:		
			<b>DROPLET8L SUBMITTAL</b>		
			(DIMENSIONS & CONNECTIONS)		
SIZE	DWG. NO.	REV			
<b>B</b>	<b>003-00033</b>	<b>A</b>			
SCALE: 1:20			SHEET 1 OF 4		

4

3

2

1

4

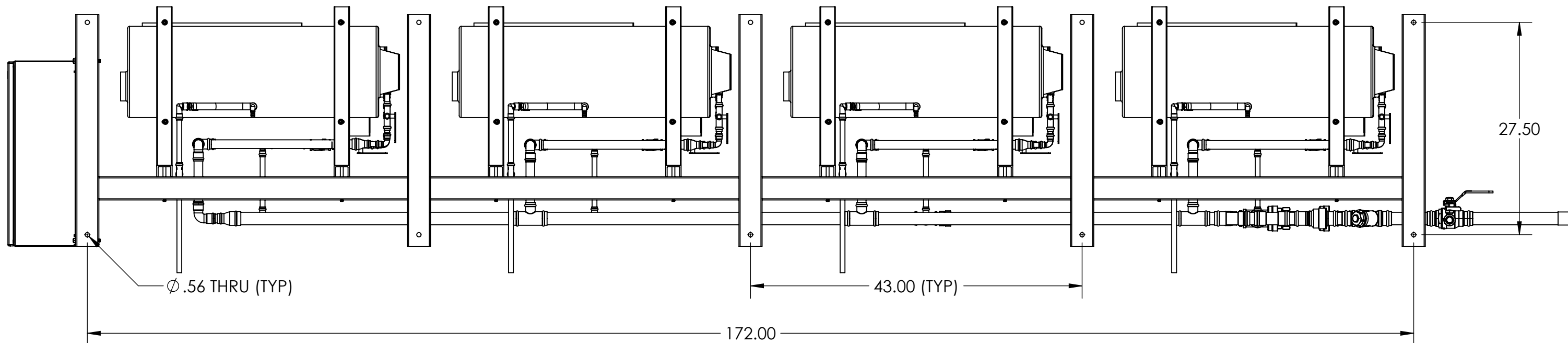
3

2

1

B

B



$\phi .56$  THRU (TYP)

172.00

43.00 (TYP)

27.50

A

A

4

3

2

1

ALL DIMENSIONS IN INCHES

**ANCHOR REQUIREMENTS:**

- (10) ANCHORS REQUIRED
- 1/2" DIAMETER
- 1,000 lbf UPLIFT CAPACITY PER ANCHOR
- 750 lbf SHEAR CAPACITY PER ANCHOR

SMALL PLANET SUPPLY  
TUMWATER, WA

TITLE:  
**DROPLET8L  
SUBMITTAL**  
(MOUNTING REQUIREMENTS)

SIZE	DWG. NO.	REV
<b>B</b>	<b>003-00033</b>	<b>A</b>

SCALE: 1:13



SHEET 2 OF 4

4

3

2

1

PERFORMANCE

HEATING CAPACITY (ABOVE 5°F) [BTUH]	123,200
NOMINAL OUTPUT [GPM @ 100°F LIFT]	2.5
MAX. DAILY OUTPUT [GAL./DAY @ 100°F LIFT]	2,365
MAX. DAILY RUNTIME [HOURS / DAY]	16
AIRFLOW [CFM]	4,800
EXTERNAL STATIC PRESSURE [IN.-H2O]	0
SOUND LEVEL [dB(A)]	40
*MAX. PIPE LENGTH TO STORAGE TANKS [FT.]	55
*MAX. VERTICAL DISTANCE TO STORAGE TANK [FT.]	20
REFRIGERANT TYPE	R-744
TOTAL CHARGE [OZ.]	203.2
MAX. SYSTEM WATER PRESSURE [PSI]	75
HEAT TRACE CAPACITY [W/FT.] (OPTIONAL)	8

\*LIMITED BY HEAT PUMP INTERNAL CIRCULATOR PUMP AVAILABLE HEAD

ELECTRICAL

VOLTAGE/PHASE/FREQ.	208V/3Ø/60Hz
FLA [A]	46.2
MCA [A]	61.3
MOCP [A]	70

WEIGHT

DRY WEIGHT, INSTALLED* [LBS.]	2,500
-------------------------------	-------

\*APPROX.

COMPONENT & CONSTRUCTION DETAIL

20-MESH WYE-STRAINER LOCATED ON COLD SUPPLY
INDIVIDUAL HEAT PUMP ISOLATION AND CHECK VALVES
HEAT TRACE ON PIPING AND CONDENSATE DRAIN PANS (OPTIONAL)
POWDER COATED STEEL FRAME
1-1/2" PIPE INSULATION
TYPE K COPPER PIPING
ONBOARD STAGING CONTROLLER
UL508A PANEL

MOUNTING ANCHORS

DIAMETER	1/2"
UPLIFT/PULLOUT CAPACITY [lbf]	1,000
SHEAR CAPACITY [lbf]	750
NO. OF ANCHORS REQUIRED	10

FIELD CONNECTIONS

<u>ELECTRICAL</u>	LINES A,B,C	
	NEUTRAL	
	GROUND	
<u>CONTROL</u>	TANK TEMPERATURE SENSOR (30 FT. INCL)	
<u>PLUMBING</u>	HOT WATER OUTLET	1-1/2" COPPER STUB
	COLD WATER SUPPLY	1-1/2" COPPER STUB
	CONDENSATE DRAINS	(4) 1/2" COPPER STUB

SMALL PLANET SUPPLY  
TUMWATER, WA  
TITLE:

**DROPLET8L**  
**SUBMITTAL**  
(TECHNICAL DATASHEET)

SIZE	DWG. NO.	REV
<b>B</b>	<b>003-00033</b>	<b>A</b>
SCALE: 1:15		SHEET 3 OF 4

4

3

2

1

B

A

4

3

2

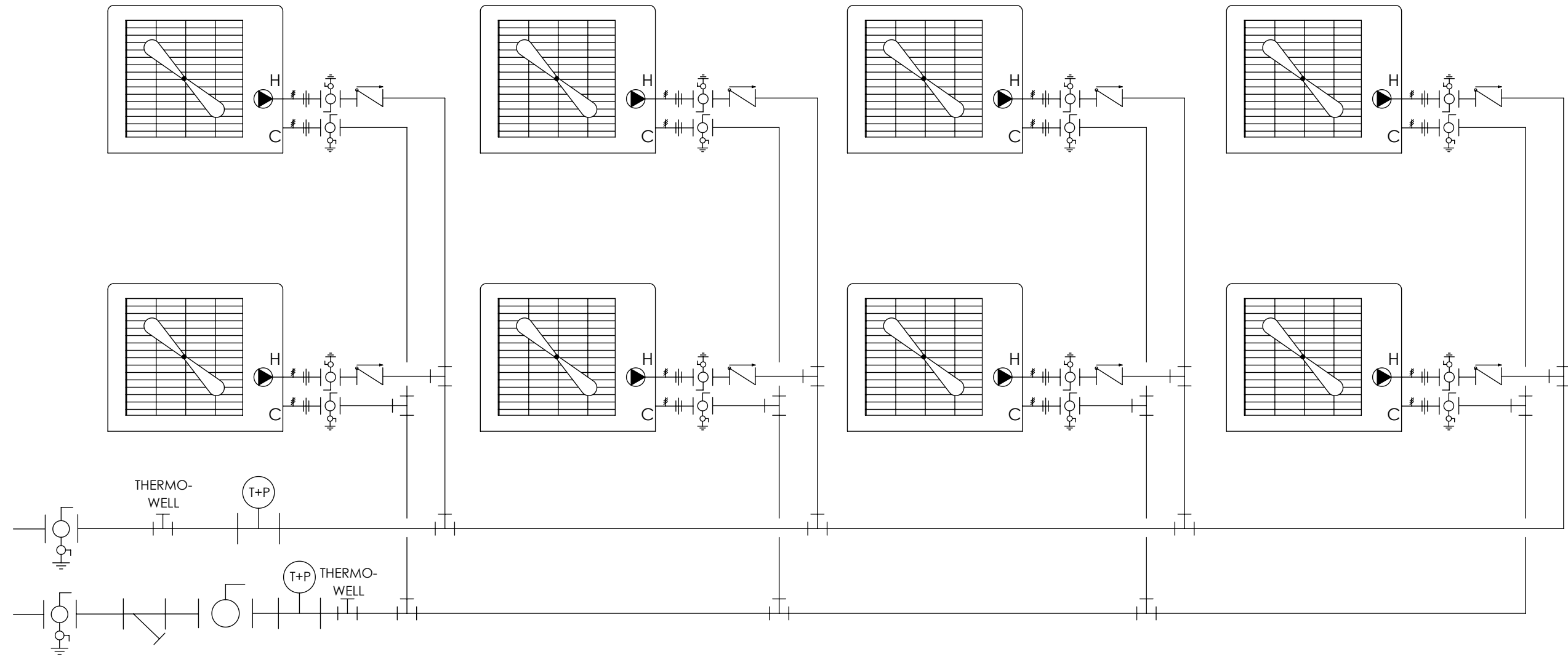
1

B

B

A

A



SMALL PLANET SUPPLY TUMWATER, WA		
TITLE:		
<b>DROPLET8L SUBMITTAL (PIPING DIAGRAM)</b>		
SIZE	DWG. NO.	REV
<b>B</b>	<b>003-00033</b>	<b>A</b>
SCALE: 1:1		SHEET 4 OF 4

4

3

2

1