

WATERDROP[®]

Fit For Your Needs

Water Droplets



Several sizes of storage tank available for pairing with Droplets.

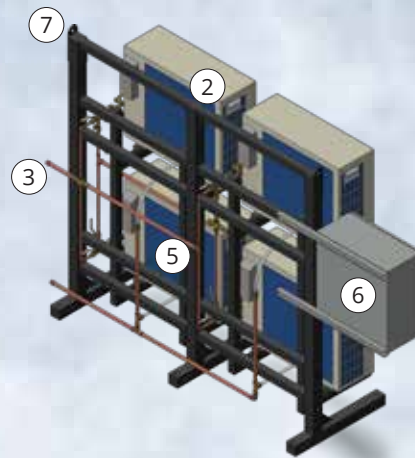
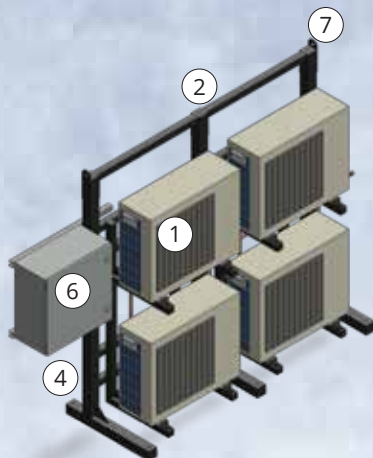
- ① Heat Pumps
- ② Steel Frame
- ③ Water Connections
- ④ Main Power
- ⑤ Internal Piping
- ⑥ Master Controller
- ⑦ Lift Points

The WaterDrop Droplet R744 Heat Pump is available in a range of capacities from 9KW to 54Kw, and is the perfect way to "right-size" a heat pump array for the building load. Selecting a Droplet is a great place to start designing your domestic hot water plant.

Like a full WaterDrop skid, a Droplet comes completely pre-assembled and ready for power and water. Compared to full systems, Droplets are stripped down to just the heat pumps¹, and a steel frame². Fully piped to a main water connection³, and wired with a single point 220/208AC power landing⁴, these systems allow you to quickly and easily connect your own storage for ultimate flexibility. The Droplet's internal piping⁵ is heat traced and insulated, and comes with it's own master staging controller⁶ with communication options of WIFI, LTE and BMS. The controller is ready to integrate into your plant with single point thermistors for supply tank, return port and outdoor air temperature monitoring.

Ideal applications are both building retrofits and new construction where the building type makes more sense to separate the heat pump from the storage tanks. Small units will fit through a standard 3-0 doorway and are elevator friendly for retrofits. We can even provide tank selections that can be ganged and fit into tight spaces.

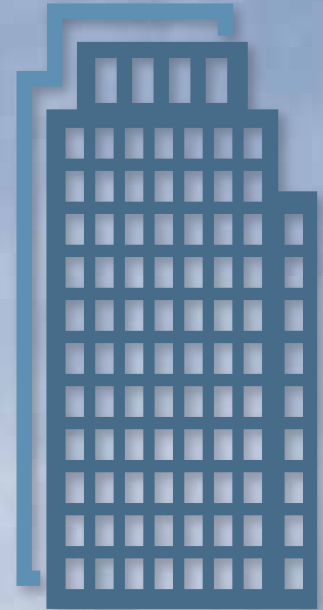
WaterDrop Droplets are reliable and easy to service. Each heat pump is individually valved and operates independently, and are serviceable or replaceable while the plant operates. All systems are assembled with components stocked in our Tumwater WA or Richmond BC facilities.





WaterDrop Droplet Models

WaterDrop Droplets come in several standard models, in 9kW increments to serve a wide range of building load sizes. Model choice is dependent on total load, which comes from a combination of the size of the building, number of units, and the maximum number of occupants. To determine your total load, you can fill out the form on our website to get in touch with our engineers. Then you can confidently select the right model for your needs.



Drop In



Flexible



Efficient

Model	Total HPs	HP Recovery ¹ (kBtuh)	Max Output ² (Gal/Day)	Dry Weight ³ (lbs)	Wet Weight ³ (lbs)
Droplet 2	2	31	592	400	550
Droplet 4	4	62	1,183	800	1,075
Droplet 6	6	92	1,775	1,200	1,600
Droplet 8	8	123	2,366	1,600	2,150
Droplet 10	10	154	2,958	2,150	2,850
Droplet 12	12	185	3,550	2,400	3,200

Ready to start your WaterDrop journey? Fill out the contact form at waterdropsystems.com or call us at (778) 326-0158.

USA
7924 Sweet Iron Court
Suite 101
Tumwater, WA 98501

Canada
3231 Number 6 Road
Unit 135
Richmond, BC V6V 1P6