

NOTES:  
ALL DIMENSIONS IN INCHES  
UNLESS OTHERWISE NOTED

36" SERVICE CLEARANCE  
REQUIRED ON ALL SIDES

SMALL PLANET SUPPLY TUMWATER, WA		
TITLE: <b>DROPLET 6</b> DIMENSIONS & CONNECTIONS		
SIZE	DWG. NO.	REV
<b>B</b>	SUB0000006-0	
SCALE: 1:15 WEIGHT:		SHEET 1 OF 3

4

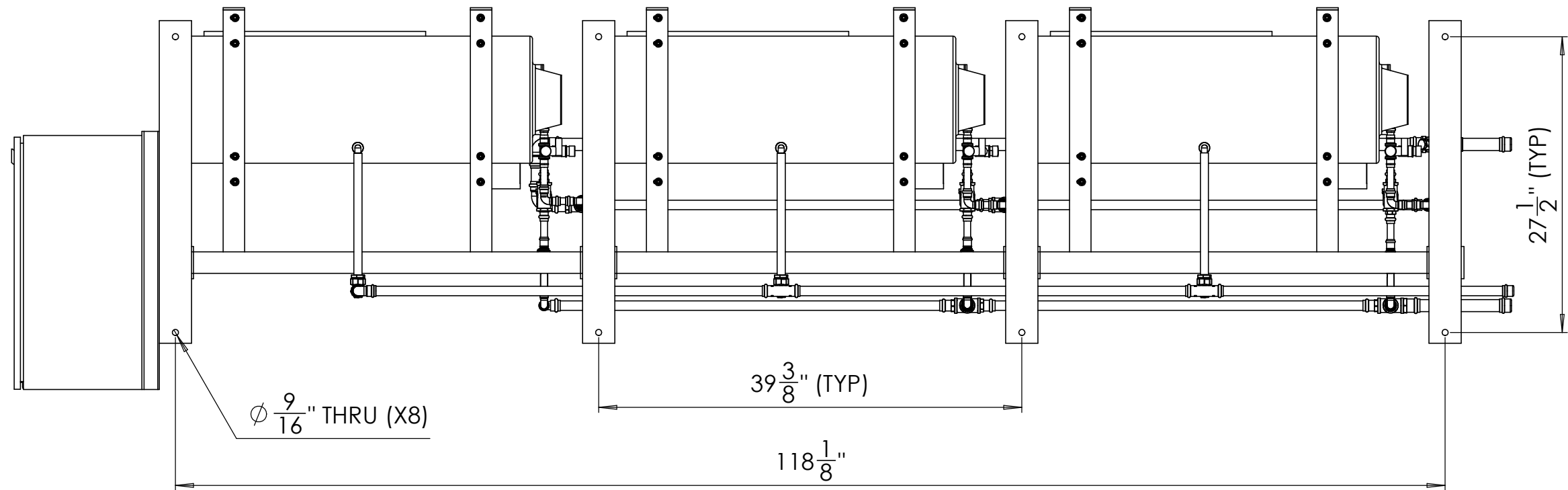
3

2

1

B

B



A

A

4

3

2

1

NOTES:  
 ALL DIMENSIONS IN INCHES  
 UNLESS OTHERWISE NOTED

SMALL PLANET SUPPLY TUMWATER, WA		
TITLE: <b>DROPLET6</b> MOUNTING DETAILS		
SIZE <b>B</b>	DWG. NO. SUB0000006-0	REV
SCALE: 1:12	WEIGHT:	SHEET 2 OF 3

4

3

2

1

ELECTRICAL

\*SEE WIRING DIAGRAM FOR DETAILS

COMPONENT & CONSTRUCTION DETAIL

20-MESH WYE-STRAINER LOCATED ON COLD SUPPLY
HEAT TRACE ON PIPING AND HEAT PUMP CONDENSATE DRAIN PANS
INDIVIDUAL HEAT PUMP ISOLATION AND CHECK VALVES
REVERSE-RETURN PIPING FOR EQUAL PRESSURE DROP PER HEAT PUMP
PAINTED STEEL FRAME
1-1/2" PIPE INSULATION
TYPE K COPPER PIPING
ONBOARD STAGING CONTROLLER (MULTIPLE ARRAYED DROPLETS REQUIRE ADDITIONAL CONTROLLER)
UL 508A PANELS

WEIGHT

DRY INSTALLED WEIGHT [LBS.]	1,200
-----------------------------	-------

PERFORMANCE

HEATING CAPACITY (ABOVE 5°F) [BTUH]	92,400
NOMINAL OUTPUT [GPM @ 100°F LIFT]	1.85
MAX. DAILY OUTPUT [GAL./DAY @ 100°F LIFT]	1,774
MAX. DAILY RUNTIME [HOURS/DAY]	16
AIRFLOW [CFM]	3,600
EXTERNAL STATIC PRESSURE [IN.-H2O]	0
SOUND LEVEL [ dBA]	40
*MAX. PIPE LENGTH TO STORAGE TANKS [FT.]	55
*MAX. VERTICAL DISTANCE TO STORAGE TANK [FT.]	20
REFRIGERANT TYPE	R-744
TOTAL CHARGE [OZ.]	152
MAX. SYSTEM WATER PRESSURE [PSI]	94

\*LIMITED BY HEAT PUMP INTERNAL CIRCULATOR PUMP

NOTES:

SMALL PLANET SUPPLY  
TUMWATER, WA

TITLE:  
**DROPLET6**  
TECHNICAL DATASHEET

SIZE	DWG. NO.	REV
------	----------	-----

<b>B</b>	SUB0000006-0	
----------	--------------	--

SCALE: 1:50	WEIGHT:	SHEET 3 OF 3
-------------	---------	--------------

4

3

2

1

B

B

A

A