

WATERDROP®

Fit For Your Needs

Complete Skid Solutions

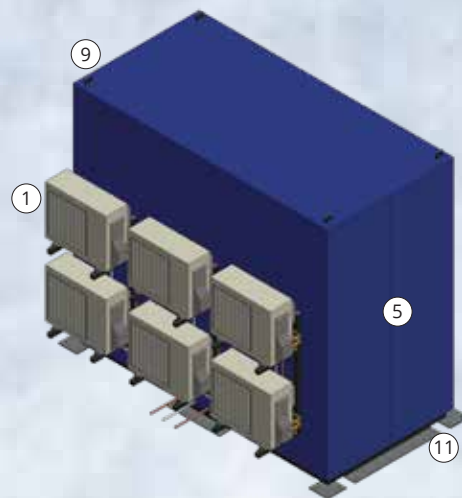
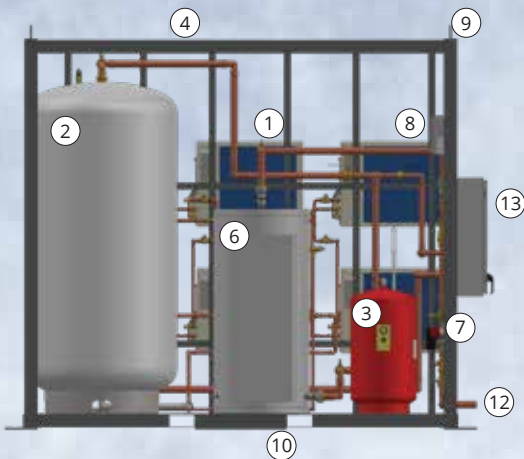
WaterDrop Complete Skid Solutions are selected to meet the needs of the building based on occupancy and expected water usage. These skids come with everything needed for a fully functioning domestic hot water delivery system, heat pumps¹, primary storage², and an expansion tank³, all contained in a steel frame⁴ with removable insulated side panels⁵. A master mixing valve and recirculation pump⁶ maintains a steady loop temperature in conjunction with a swing tank⁷ to recover standby losses during periods of low usage. Included in the package is a master controller⁸ with communication options of WIFI, LTE, and BMS.

Complete skids allow for easy delivery and installation of large scale water heating systems for buildings. Skids come prepackaged to the site when ready to install, keeping job sites clear of equipment until it is needed. Installation is simple with several lift points for crane⁹ or forklift¹⁰ for moving the skid into position, and tie down points¹¹ for securing the system. Installation is as easy as connecting the water lines¹², and providing power at the main power supply¹³, the master controller will then begin to run and start the system.

WaterDrop's Complete Skid systems offer a no hassle solution for whole building water heating, and come in several standard models to fit your individual needs.



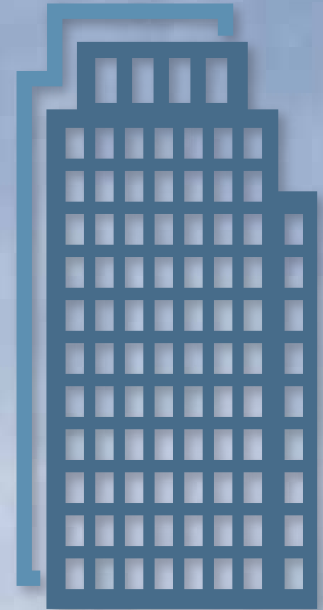
- ① Heat Pumps
- ② Primary Storage
- ③ Expansion Tank
- ④ Steel Frame
- ⑤ Removable Panels
- ⑥ Recirculation Pump
- ⑦ Swing Tank
- ⑧ Master Controller
- ⑨ Crane Lift Points
- ⑩ Forklift Points
- ⑪ Tie Downs
- ⑫ Water Connections
- ⑬ Main Power Supply





WaterDrop Complete Skid Models

WaterDrop Complete Skids come in several standard models, serving a wide range of building load sizes. Model choice is dependent on total load, which comes from a combination of the size of the building, number of units, and the max number of occupants. To determine your total load, you can fill out the form on our website to get in touch with our engineers. Then you can confidently select the right model for your needs.



Drop In



Flexible



Efficient

Model Number ¹	Pieces	HP Recovery ² (kBtuh)	Storage (Gallons)	Swing Tank (Gallons)	Swing Tank (kW)
WD1S-30-0175-119-*	1pc	31	175	119	6
WD1S-60-0300-119-*	1pc	62	318	119	9
WD1S-75-0430-119-*	1pc	77	432	119	9
WD1S-90-0500-119-*	1pc	92	500	119	12
WD1S-120-0650-119-*	2pc	123	660	119	12
WD1S-150-0800-200-*	2pc	154	795	200	18
WD1S-180-1000-200-*	2pc	185	954	200	18

Ready to start your WaterDrop journey? Fill out the contact form at waterdropsystems.com or call us at (778) 326-0158.

USA

7924 Sweet Iron Court
Suite 101
Tumwater, WA 98501

Canada

3231 Number 6 Road
Unit 135
Richmond, BC V6V 1P6