

4

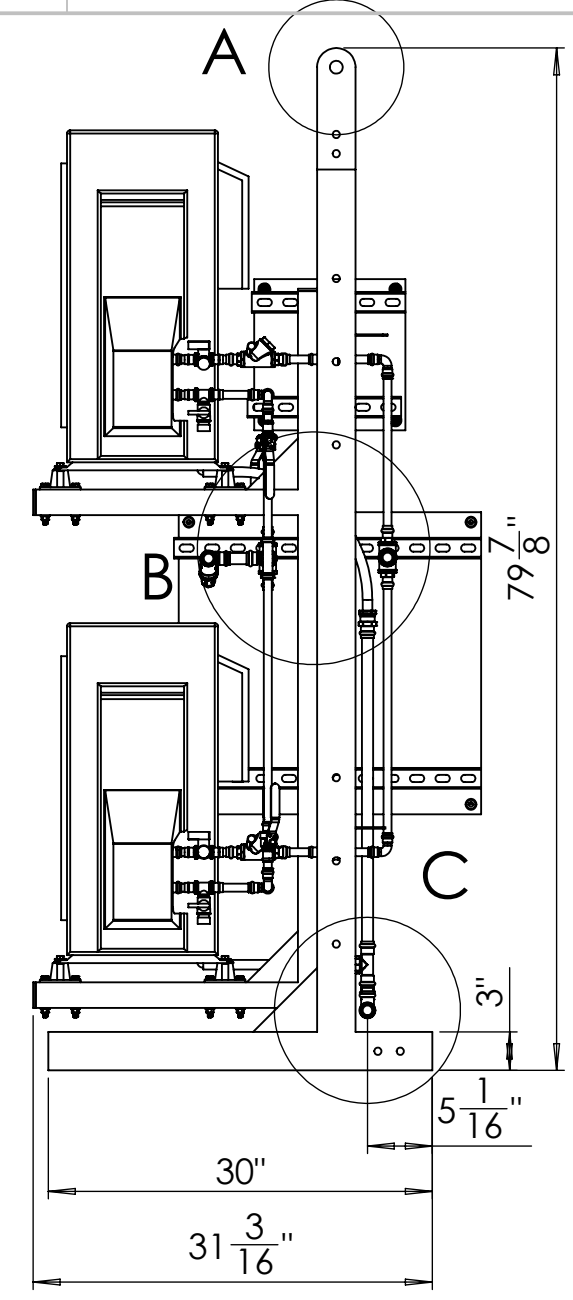
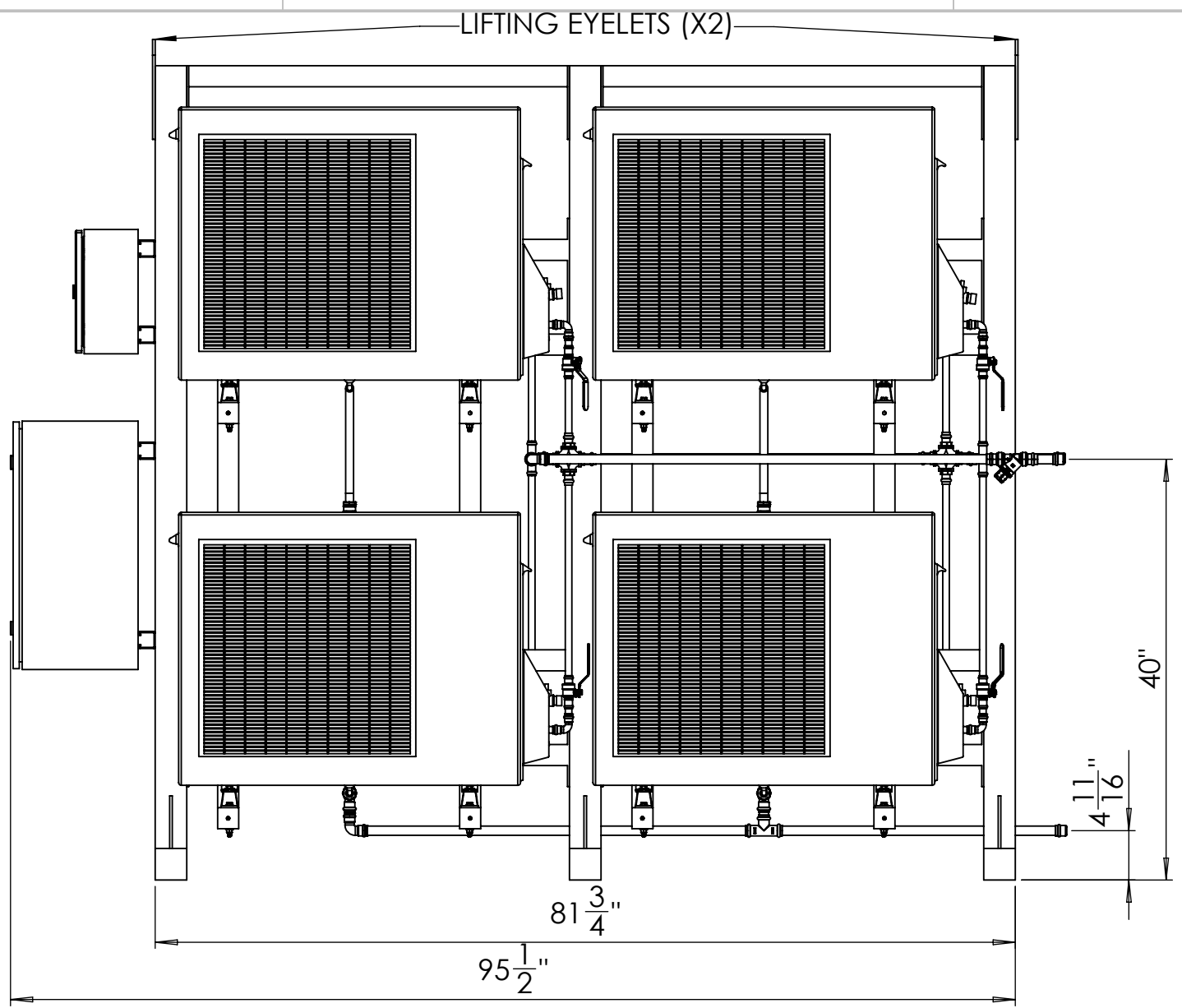
3

2

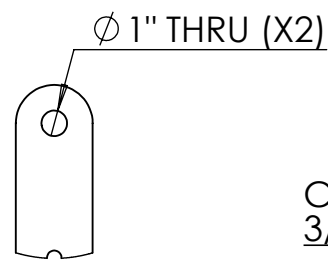
1

B

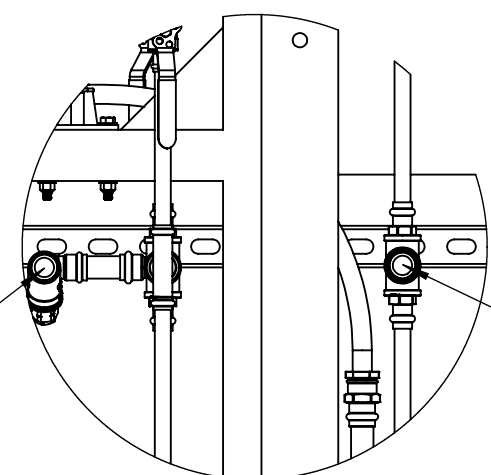
B



DETAIL C
CONDENSATE DRAIN CONNECTION
SCALE 2 : 15

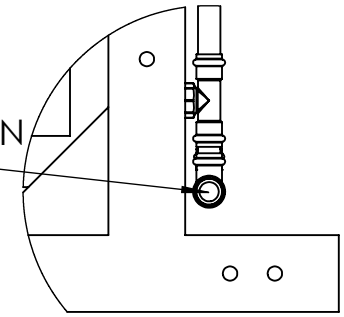


DETAIL A
LIFTING EYELET
SCALE 2 : 15



DETAIL B
PIPING CONNECTION
SCALE 2 : 15

CONDENSATE DRAIN
3/4" COPPER STUB



NOTES:
ALL DIMENSIONS IN INCHES
UNLESS OTHERWISE NOTED

36" SERVICE CLEARANCE
REQUIRED ON ALL SIDES

**ALL DIMS. PRELIMINARY, SUBJECT
TO CHANGE**

SMALL PLANET SUPPLY
TUMWATER, WA
TITLE:

DROPLET4
DIMENSIONS & CONNECTIONS

SIZE	DWG. NO.	REV
B	SUB0000004-0	
SCALE: 1:15 WEIGHT:		SHEET 1 OF 3

4

3

2

1

A

A

4

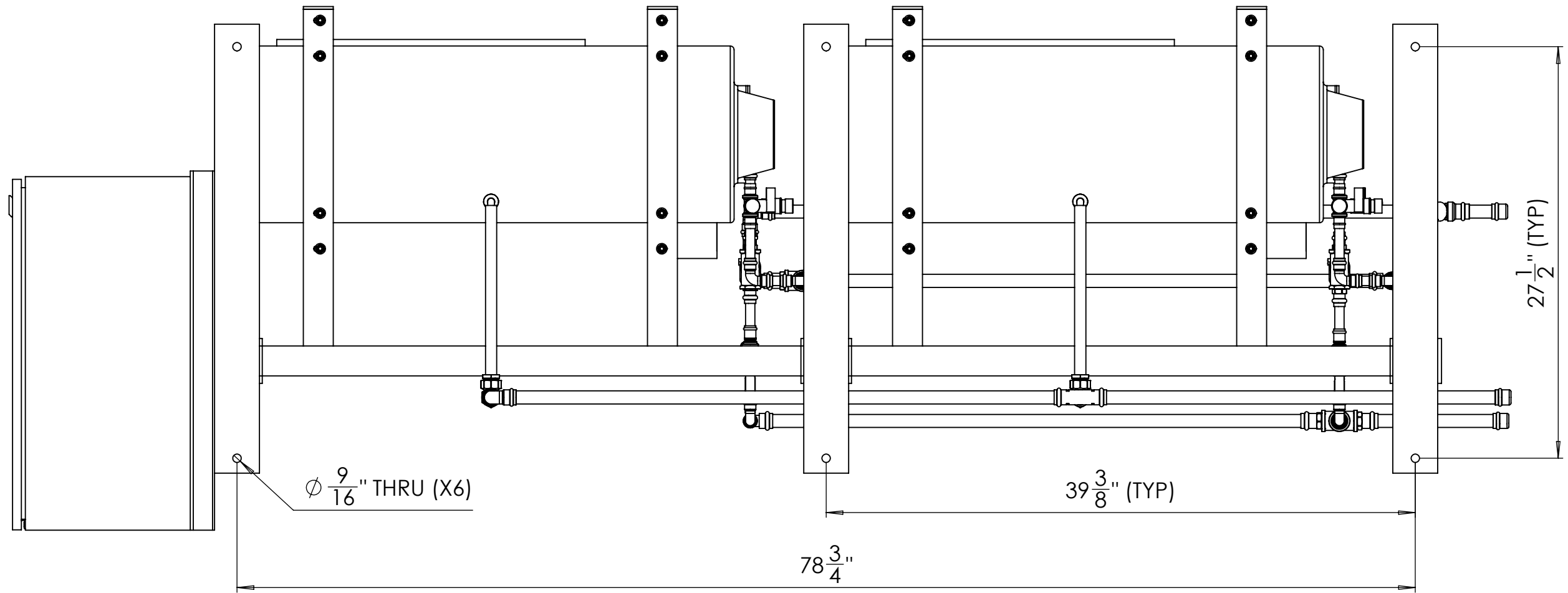
3

2

1

B

B



A

A

4

3

2

1

NOTES:

ALL DIMENSIONS IN INCHES
UNLESS OTHERWISE NOTED

**ALL DIMS. PRELIMINARY, SUBJECT
TO CHANGE**

SMALL PLANET SUPPLY
TUMWATER, WA

TITLE:

DROPLET4
MOUNTING DETAILS

SIZE	DWG. NO.	REV
B	SUB0000004-0	
SCALE: 1:8	WEIGHT:	SHEET 2 OF 3

4

3

2

1

ELECTRICAL

WITHOUT PIPING HEAT TRACE	
FLA [A]	43
MCA [A]	53
MOP [A]	60
FWG† [AWG]	6
WITH PIPING HEAT TRACE	
FLA [A]	55
MCA [A]	68
MOP [A]	70
FWG† [AWG]	4

†THHN, 75°C

COMPONENT & CONSTRUCTION DETAIL

20-MESH WYE-STRAINER LOCATED ON COLD SUPPLY
HEAT TRACE ON PIPING AND HEAT PUMP CONDENSATE DRAIN PAN AND LINE
INDIVIDUAL HEAT PUMP ISOLATION AND CHECK VALVES
REVERSE-RETURN PIPING FOR EQUAL PRESSURE DROP PER HEAT PUMP
PAINTED STEEL FRAME
1-1/2" PIPE INSULATION
TYPE K COPPER PIPING
ONBOARD STAGING CONTROLLER (MULTIPLE ARRAYED DROPLETS REQUIRE ADDITIONAL CONTROLLER)
UL 508A PANELS

WEIGHT, APPROX.

DRY INSTALLED WEIGHT [LBS.]	750
-----------------------------	-----

PERFORMANCE

HEATING CAPACITY (ABOVE 5°F) [BTU/H]	61,600
NOMINAL OUTPUT [GPM@100°F LIFT]	1.2
MAX. DAILY OUTPUT [GAL./DAY @ 100°F LIFT]	1180
MAX. DAILY RUNTIME [HOURS/DAY]	16
AIRFLOW [CFM]	2,400
EXTERNAL STATIC PRESSURE [IN.-H ₂ O]	0
SOUND LEVEL [dBA]	40
*MAX. PIPE LENGTH TO STORAGE TANKS [FT.]	55
*MAX. VERTICAL DISTANCE TO STORAGE TANK [FT.]	20
REFRIGERANT TYPE	R-744
TOTAL CHARGE [OZ.]	101
MAX. SYSTEM WATER PRESSURE [PSI]	94

*LIMITED BY HEAT PUMP INTERNAL CIRCULATOR PUMP

NOTES:

**ALL VALUES PRELIMINARY,
SUBJECT TO CHANGE**SMALL PLANET SUPPLY
TUMWATER, WA

TITLE:

DROPLET4
TECHNICAL DATASHEET

SIZE DWG. NO. REV

B SUB0000004-0

SCALE: 1:15 WEIGHT: SHEET 3 OF 3

4

3

2

1

B

A